

# 40 V, 17 A P-channel Trench Power MOSFET with Reverse Battery Protection DJR0417



## Data Sheet

### Description

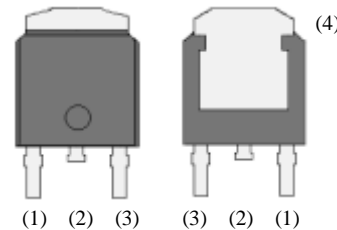
DJR0417 is P-channel trench power MOSFET designed for the load switch of automotive electronic units requiring the reverse battery protection. Since DJR0417 has a bidirectional diode between Drain and Source, the reverse battery protection can be realized with only one load switch.

### Features

- $V_{(BR)DSS}$  ----- - 40 V ( $I_D = -100 \mu A$ )
- $I_D$  ----- - 17 A
- $R_{DS(ON)}$  ----- 75 m $\Omega$  max. ( $I_D = -8.5 A, V_{GS} = -10 V$ )
- Automotive Qualified
- Load switch can configure by only one component
- For reverse battery protection
- Compliant with RoHS Directive

### Package

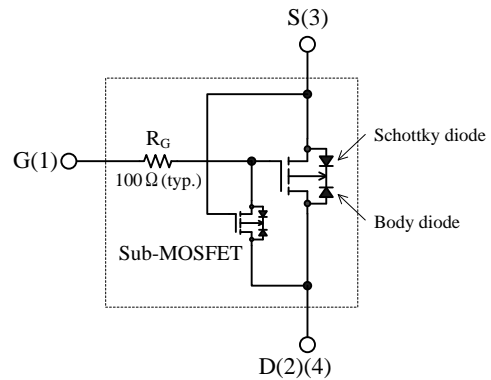
TO252



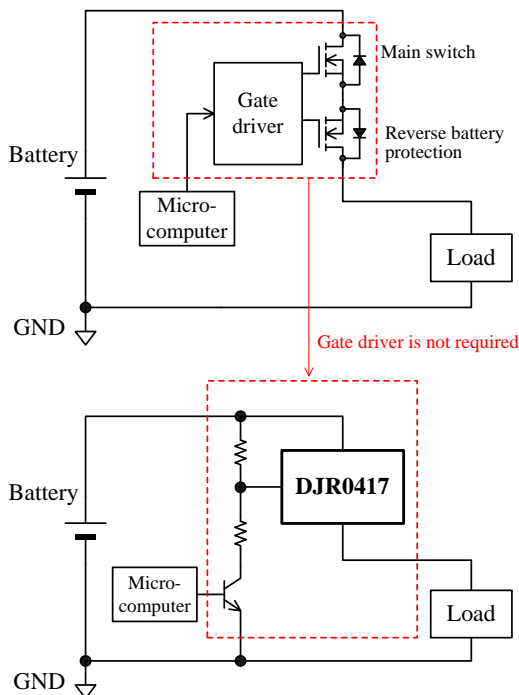
- (1) Gate
- (2)(4) Drain
- (3) Source

Not to Scale

### Equivalent circuit



### Typical Application



### Application

- Car battery

## Absolute Maximum Ratings

- Unless otherwise specified,  $T_A = 25\text{ }^\circ\text{C}$

Parameter	Symbol	Test conditions	Rating	Unit
Drain to Source Voltage	$V_{DS}$		- 40	V
Source to Drain Voltage	$V_{SD}$		- 16	V
Gate to Source Voltage	$V_{GS}$		- 15,+ 0	V
Continuous Drain Current	$I_D$	$T_C = 25\text{ }^\circ\text{C}$	- 17	A
Single Pulse Avalanche Energy	$E_{AS}$	$V_{DD} = -15\text{ V}$ , $L = 1\text{ mH}$ , $I_{AS} = -17\text{ A}$ , unclamped, Refer to Figure 1	230	mJ
Power Dissipation	$P_D$	$T_C = 25\text{ }^\circ\text{C}$	48	W
Operating Junction Temperature	$T_J$		- 55 to 150	$^\circ\text{C}$
Storage Temperature Range	$T_{STG}$		- 55 to 150	$^\circ\text{C}$
Maximum Drain to Source dv/dt	dv/dt		0.075	V/ns

## Thermal Characteristics

- Unless otherwise specified,  $T_A = 25\text{ }^\circ\text{C}$

Parameter	Symbol	Test Conditions	Min.	Typ.	Max.	Unit
Thermal Resistance (Junction to Case)	$R_{\theta JC}$		-	-	2.6	$^\circ\text{C/W}$

## Electrical Characteristic

- Unless otherwise specified,  $T_A = 25\text{ }^\circ\text{C}$

Parameter	Symbol	Test Conditions	Min.	Typ.	Max.	Unit
Drain to Source Breakdown Voltage	$V_{(BR)DSS}$	$I_D = -100\text{ }\mu\text{A}$ , $V_{GS} = 0\text{ V}$	- 40	-	-	V
Drain to Source Leakage Current	$I_{DSS}$	$V_{DS} = -40\text{ V}$ , $V_{GS} = 0\text{ V}$	-	-	- 100	$\mu\text{A}$
Gate to Source Leakage Current	$I_{GSS}$	$V_{GS} = -15\text{ V}$	-	-	- 100	$\mu\text{A}$
Gate Threshold Voltage	$V_{GS(th)}$	$V_{DS} = -10\text{ V}$ , $I_D = -1\text{ mA}$	- 1.0	- 1.75	- 2.5	V
Static Drain to Source On-Resistance	$R_{DS(on)}$	$I_D = -8.5\text{ A}$ , $V_{GS} = -10\text{ V}$	-	50	75	$\text{m}\Omega$
		$I_D = -5\text{ A}$ , $V_{GS} = -4.5\text{ V}$	-	130	350	$\text{m}\Omega$
Total Gate Charge ( $V_{GS} = 10\text{ V}$ )	$Q_g$	$V_{DS} = -15\text{ V}$ $I_D = -8.5\text{ A}$ $V_{GS} = -10\text{ V}$	-	75	-	nC
Gate to Source Charge	$Q_{gs}$		-	9	-	
Gate to Drain Charge	$Q_{gd}$		-	30	-	
Turn-On Delay Time	$t_{d(on)}$	$V_{DD} = -15\text{ V}$ $I_D = -8.5\text{ A}$ $R_G = 10\text{ }\Omega$ , $R_L = 1.53\text{ }\Omega$ , $R_{GS} = 50\text{ }\Omega$ $V_{GS} = -10\text{ V}$ Refer to Figure 2	-	90	-	ns
Rise Time	$t_r$		-	450	-	
Turn-Off Delay Time	$t_{d(off)}$		-	990	-	
Fall Time	$t_f$		-	910	-	
Source to Drain Breakdown Voltage	$V_{(BR)SD}$	$I_S = -1\text{ mA}$ , $V_{GS} = 0\text{ V}$	- 16	-	-	V

Test Circuits and Waveforms

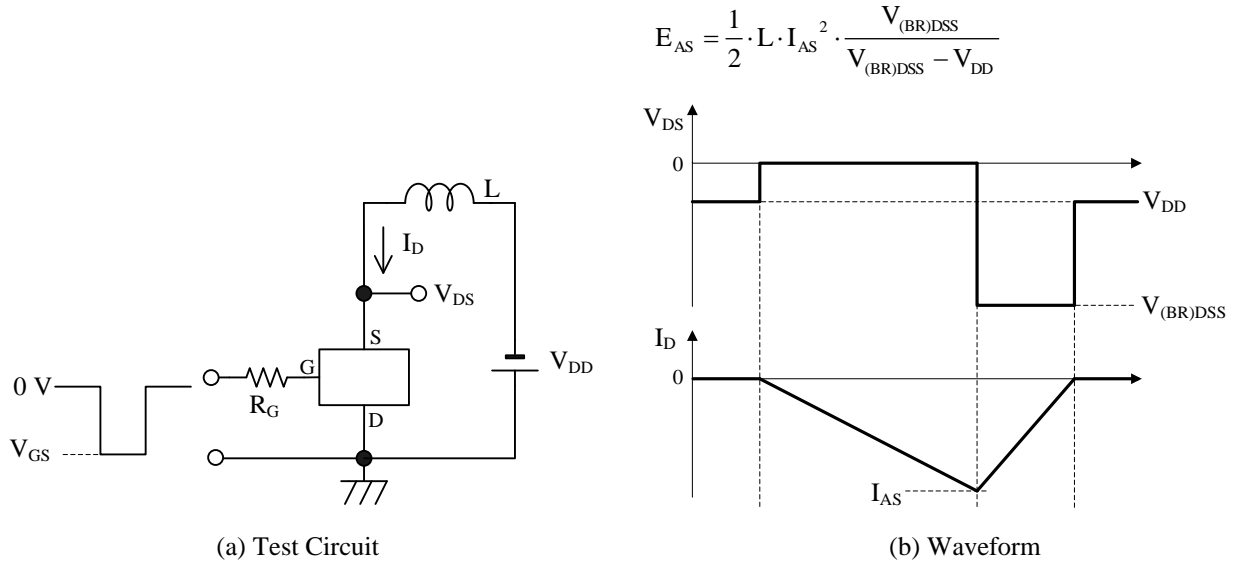


Figure 1 Unclamped Inductive Switching

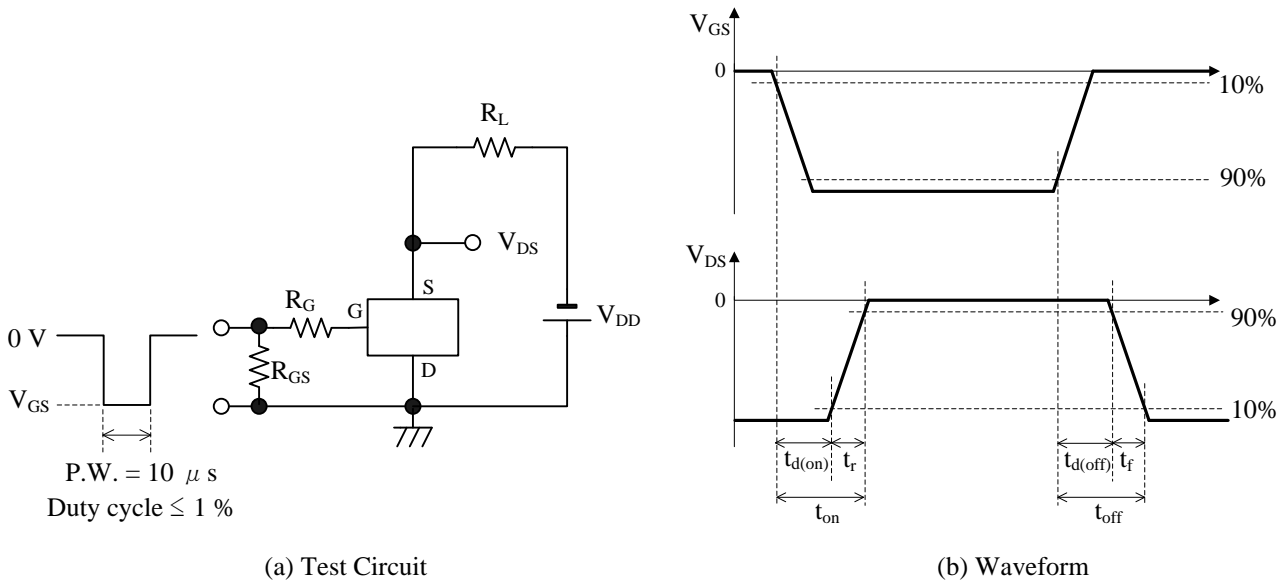
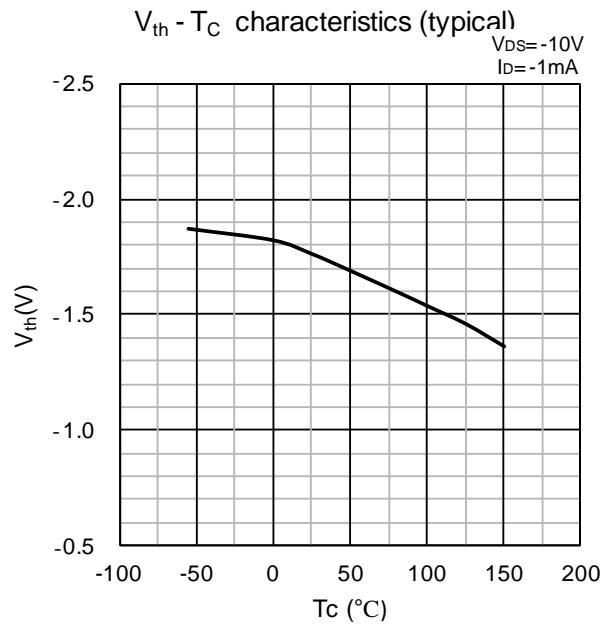
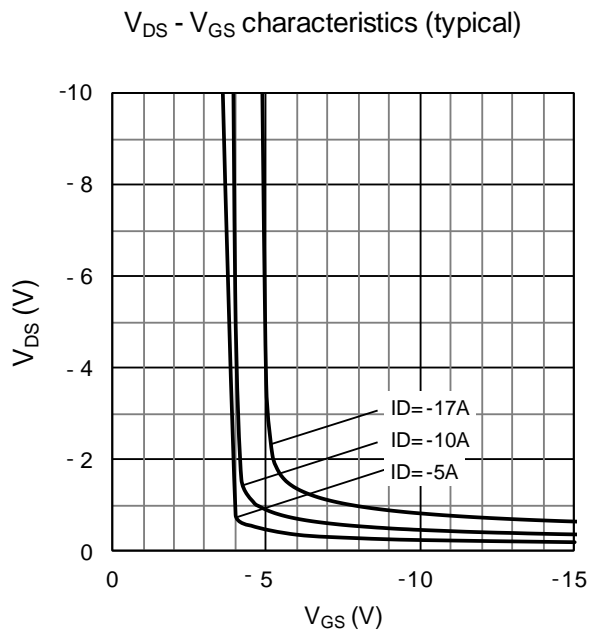
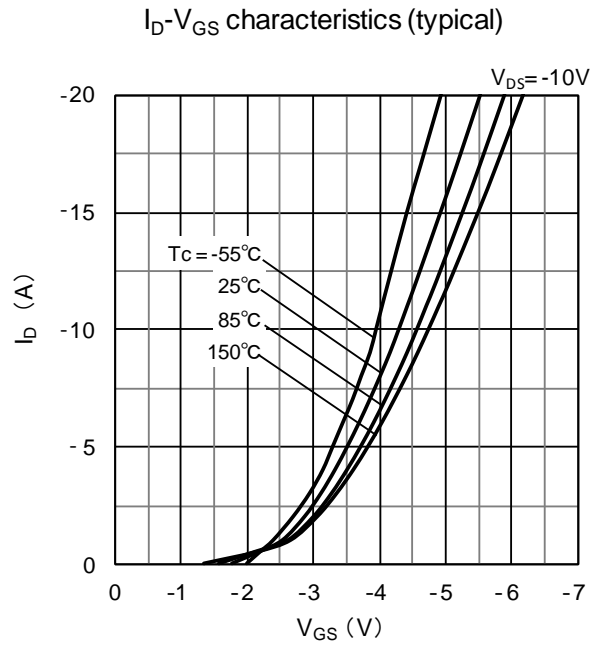
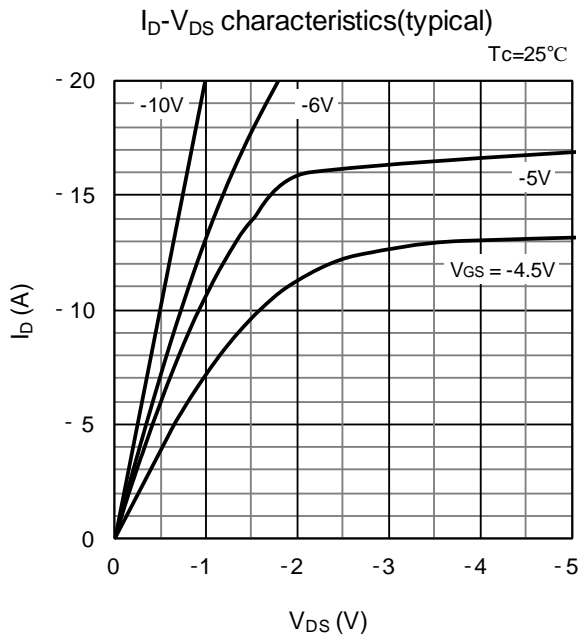
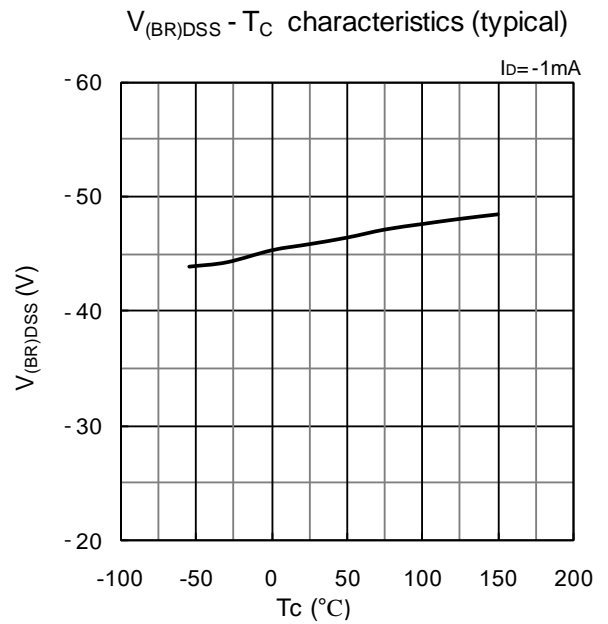
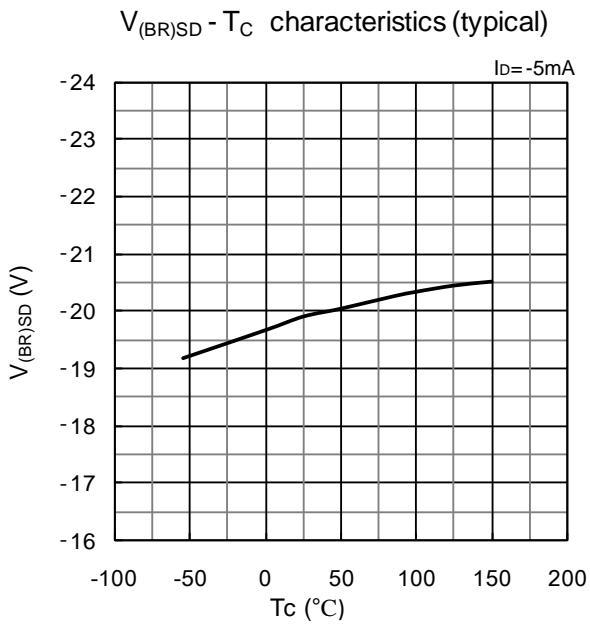
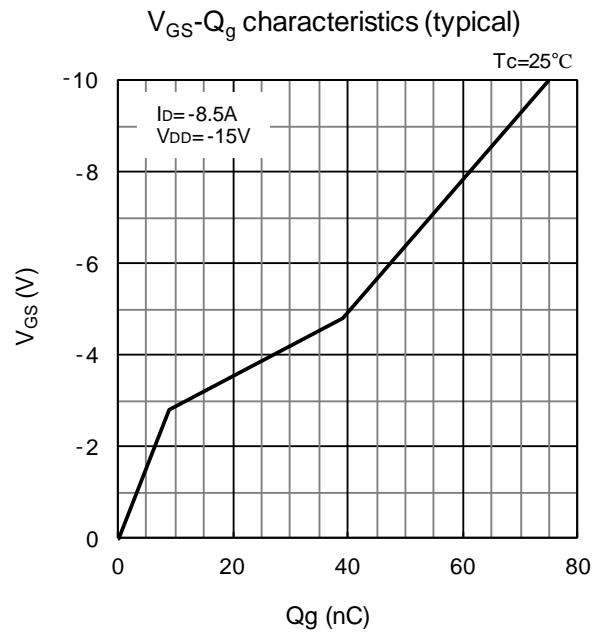
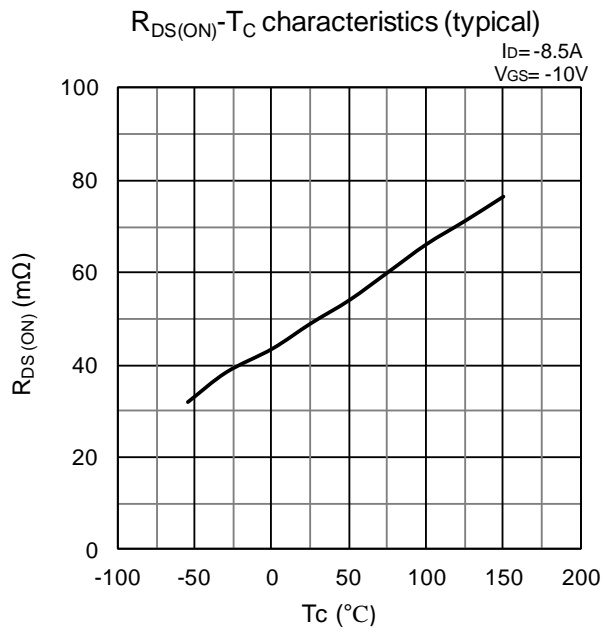


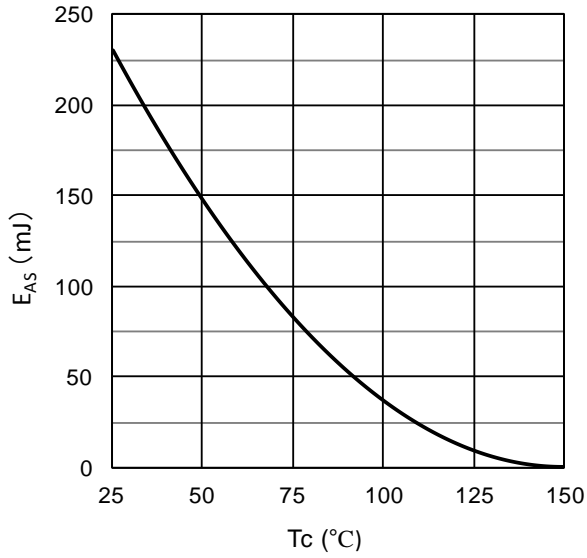
Figure 2 Switching Time

Performance Curves

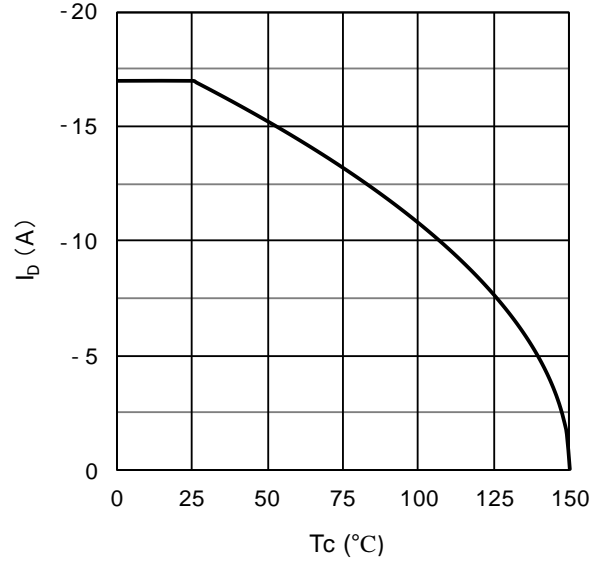




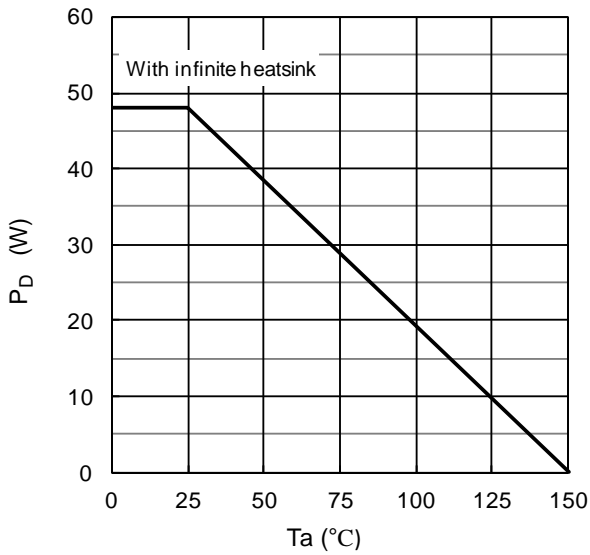
$E_{AS}$ - $T_c$  characteristics



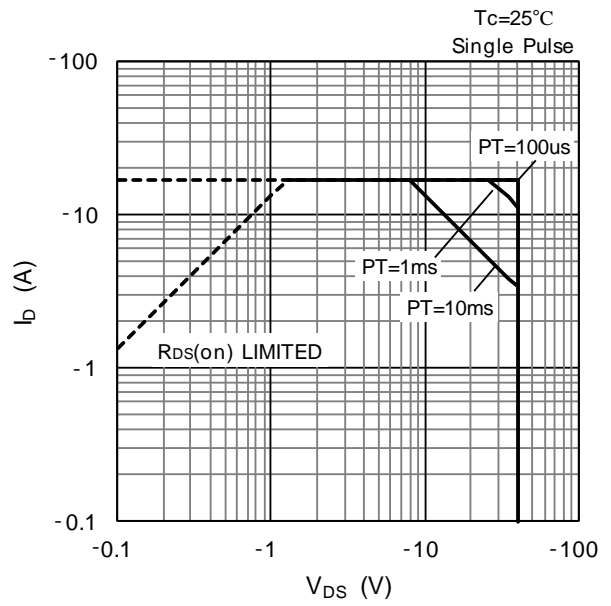
$I_D$ - $T_c$  characteristics

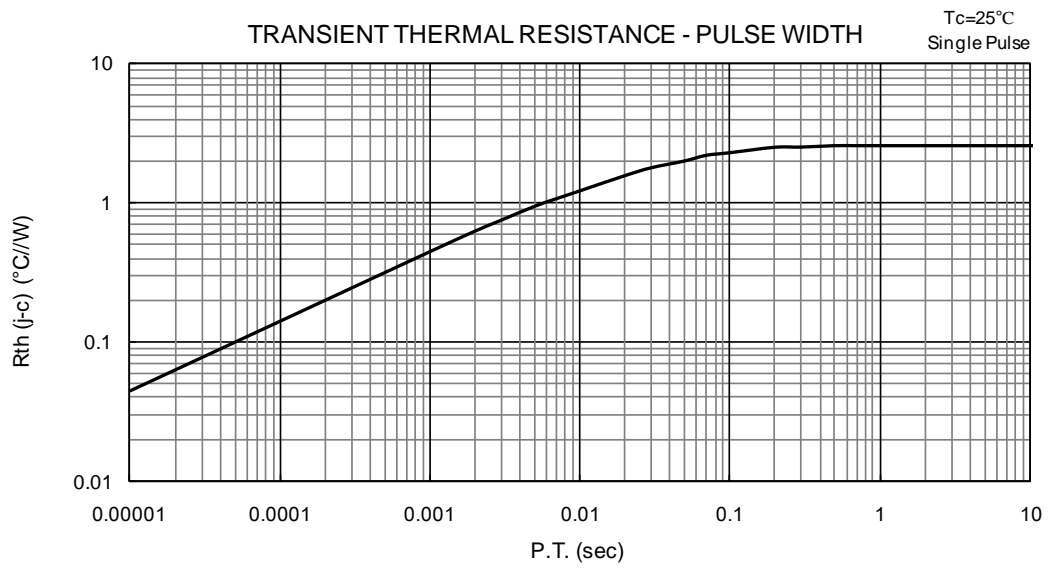


$P_D$ - $T_a$  Derating



SAFE OPERATING AREA

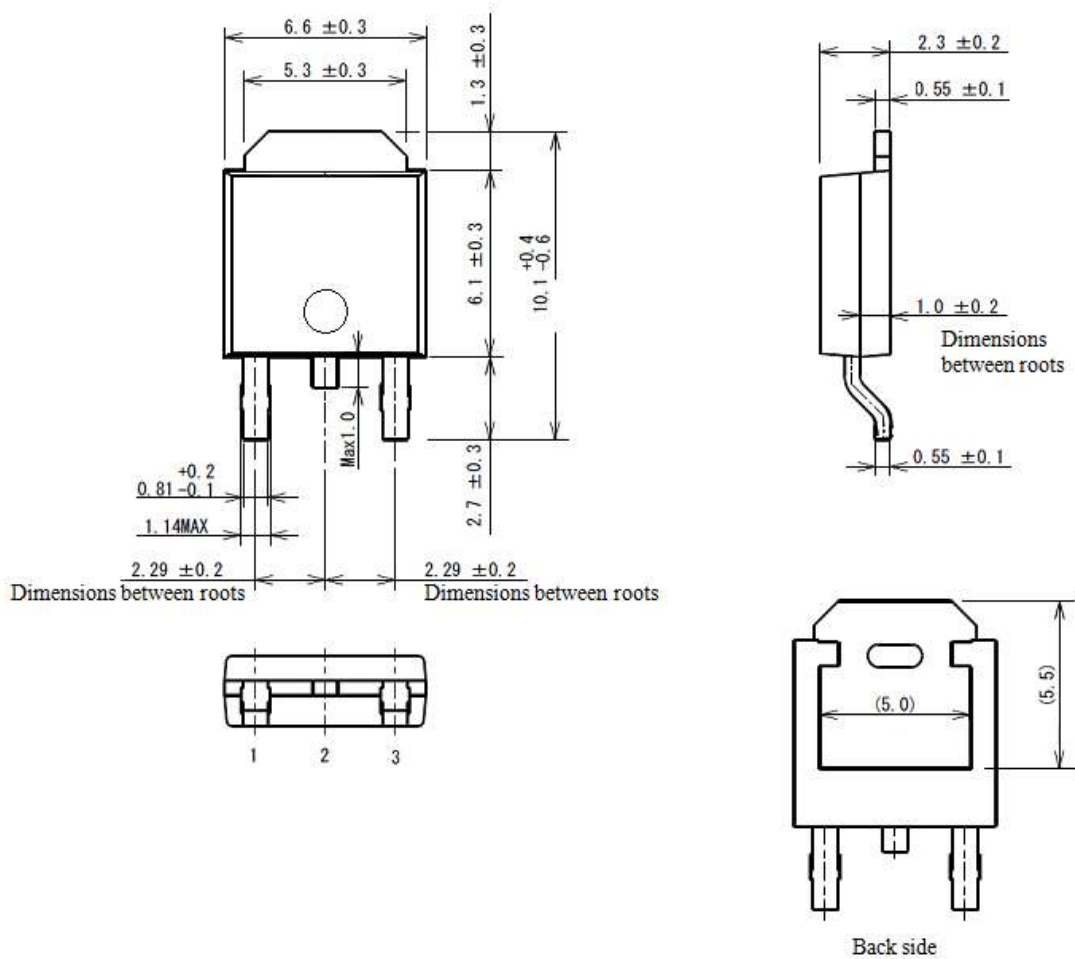




# DJR0417

## External Dimensions

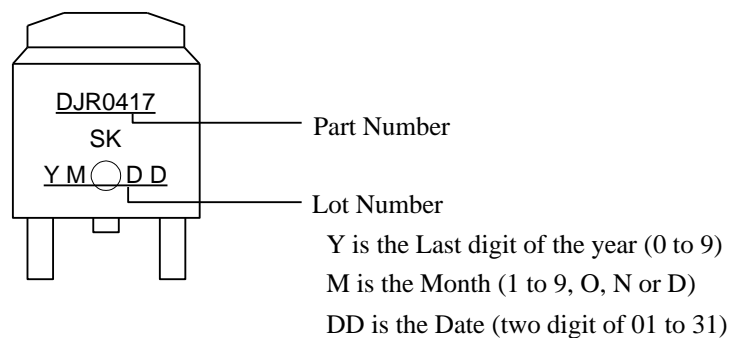
- TO252



### NOTES:

- Dimension is in millimeters
- Pb-free. Device composition compliant with the RoHS directive

### Marking Diagram





---

## IMPORTANT NOTES

- All data, illustrations, graphs, tables and any other information included in this document as to Sanken's products listed herein (the "Sanken Products") are current as of the date this document is issued. All contents in this document are subject to any change without notice due to improvement, etc. Please make sure that the contents set forth in this document reflect the latest revisions before use.
- The Sanken Products are intended for use as components of electronic equipment or apparatus (transportation equipment and its control systems, home appliances, office equipment, telecommunication equipment, measuring equipment, etc.). Prior to use of the Sanken Products, please put your signature, or affix your name and seal, on the specification documents of the Sanken Products and return them to Sanken. If considering use of the Sanken Products for any applications that require higher reliability (traffic signal control systems or equipment, disaster/crime alarm systems, etc.), you must contact a Sanken sales representative to discuss the suitability of such use and put your signature, or affix your name and seal, on the specification documents of the Sanken Products and return them to Sanken, prior to the use of the Sanken Products. Any use of the Sanken Products without the prior written consent of Sanken in any applications where extremely high reliability is required (aerospace equipment, nuclear power control systems, life support systems, etc.) is strictly prohibited.
- In the event of using the Sanken Products by either (i) combining other products or materials therewith or (ii) physically, chemically or otherwise processing or treating the same, you must duly consider all possible risks that may result from all such uses in advance and proceed therewith at your own responsibility.
- Although Sanken is making efforts to enhance the quality and reliability of its products, it is impossible to completely avoid the occurrence of any failure or defect in semiconductor products at a certain rate. You must take, at your own responsibility, preventative measures including using a sufficient safety design and confirming safety of any equipment or systems in/for which the Sanken Products are used, upon due consideration of a failure occurrence rate or derating, etc., in order not to cause any human injury or death, fire accident or social harm which may result from any failure or malfunction of the Sanken Products. Please refer to the relevant specification documents and Sanken's official website in relation to derating.
- No anti-radioactive ray design has been adopted for the Sanken Products.
- No contents in this document can be transcribed or copied without Sanken's prior written consent.
- The circuit constant, operation examples, circuit examples, pattern layout examples, design examples, recommended examples and evaluation results based thereon, etc., described in this document are presented for the sole purpose of reference of use of the Sanken Products and Sanken assumes no responsibility whatsoever for any and all damages and losses that may be suffered by you, users or any third party, or any possible infringement of any and all property rights including intellectual property rights and any other rights of you, users or any third party, resulting from the foregoing.
- All technical information described in this document (the "Technical Information") is presented for the sole purpose of reference of use of the Sanken Products and no license, express, implied or otherwise, is granted hereby under any intellectual property rights or any other rights of Sanken.
- Unless otherwise agreed in writing between Sanken and you, Sanken makes no warranty of any kind, whether express or implied, as to the quality of the Sanken Products (including the merchantability, or fitness for a particular purpose or a special environment thereof), and any information contained in this document (including its accuracy, usefulness, or reliability).
- In the event of using the Sanken Products, you must use the same after carefully examining all applicable environmental laws and regulations that regulate the inclusion or use of any particular controlled substances, including, but not limited to, the EU RoHS Directive, so as to be in strict compliance with such applicable laws and regulations.
- You must not use the Sanken Products or the Technical Information for the purpose of any military applications or use, including but not limited to the development of weapons of mass destruction. In the event of exporting the Sanken Products or the Technical Information, or providing them for non-residents, you must comply with all applicable export control laws and regulations in each country including the U.S. Export Administration Regulations (EAR) and the Foreign Exchange and Foreign Trade Act of Japan, and follow the procedures required by such applicable laws and regulations.
- Sanken assumes no responsibility for any troubles, which may occur during the transportation of the Sanken Products including the falling thereof, out of Sanken's distribution network.
- Although Sanken has prepared this document with its due care to pursue the accuracy thereof, Sanken does not warrant that it is error free and Sanken assumes no liability whatsoever for any and all damages and losses which may be suffered by you resulting from any possible errors or omissions in connection with the contents included herein.
- Please refer to the relevant specification documents in relation to particular precautions when using the Sanken Products, and refer to our official website in relation to general instructions and directions for using the Sanken Products.