



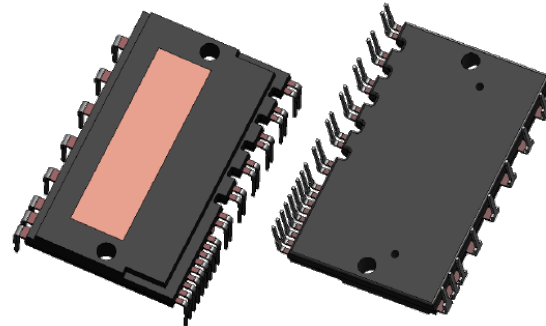
Working Together for a Greener Society

Future of Power Electronics and the Earth



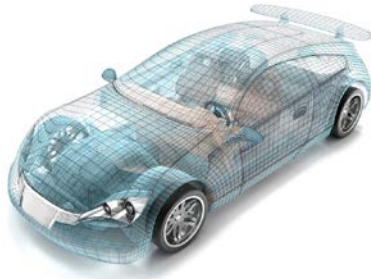
3-phase Motor Drivers for Automotive and Industrial Equipment

SAM2 Series



01. Introduction

- **Electric Compressor**
- **Electric Oil Pump**



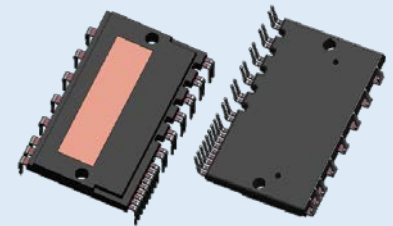
Want a 3-phase motor driver for auxiliary systems used in electrified vehicles (xEV)?

- **Commercial A/C**
- **General Inverter**
- **Servomotor**



Can't find a good 3-phase motor driver for industrial equipment?

If so, our **"SAM2 series"** is exactly what you are looking for!



We would like to share what makes this series special.

Overview

The SAM2 series — 3-phase brushless motor drivers — integrates output transistors, pre-drive circuits, bootstrap diodes with current-limiting resistors, and a temperature-sensing thermistor into one package.

This series will best suit 3-phase motor drivers for industrial equipment, automotive high-voltage auxiliary systems, etc.

Main Features

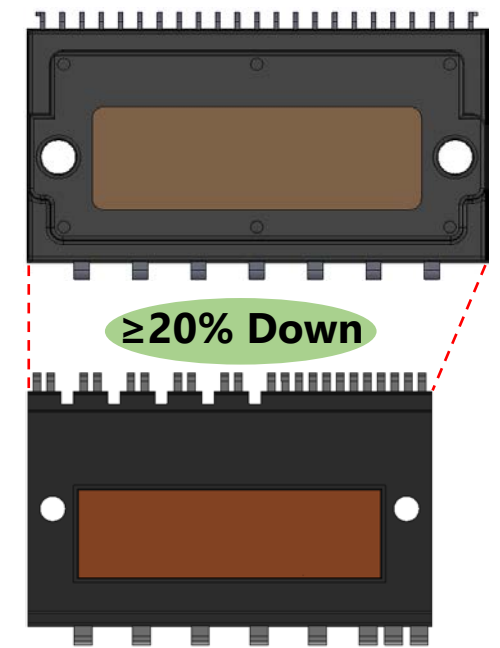
- **≥20% reduction in package size (vs. our old ICs)**
- **Built-in thermistor for precise temperature sensing**
- **Soft recovery diode for switching noise suppression**

Your application can get smaller and more reliable!

03. $\geq 20\%$ Reduction in Package Size

With a direct bonding copper (DBC) structure, the SAM2 series comes in a package size $\geq 20\%$ smaller than our old ICs, but still ensures conventional functions and performances.

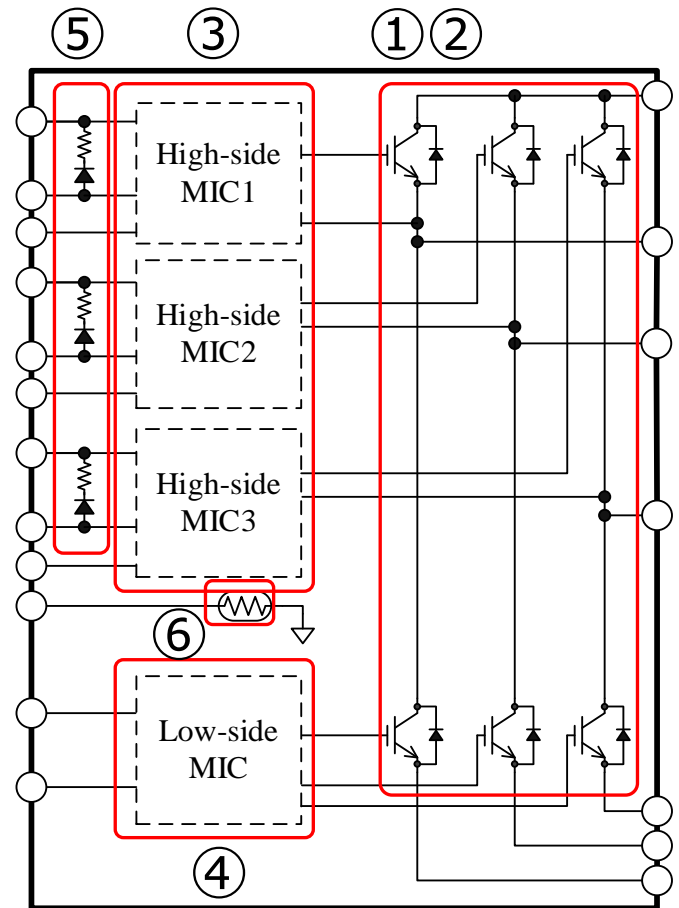
Old Type
60 mm × 31 mm × 6.3 mm



SAM2 Series
52.5 mm × 31 mm × 5.6 mm

All-in-one IPM with multiple components single packaged

- ① Output transistor (IGBT) × 6
- ② Freewheeling diode × 6
- ③ High-side driver IC × 3
- ④ Low-side driver IC × 1
- ⑤ Bootstrap diode with current-limiting resistor × 3
- ⑥ Temp-sensing thermistor × 1

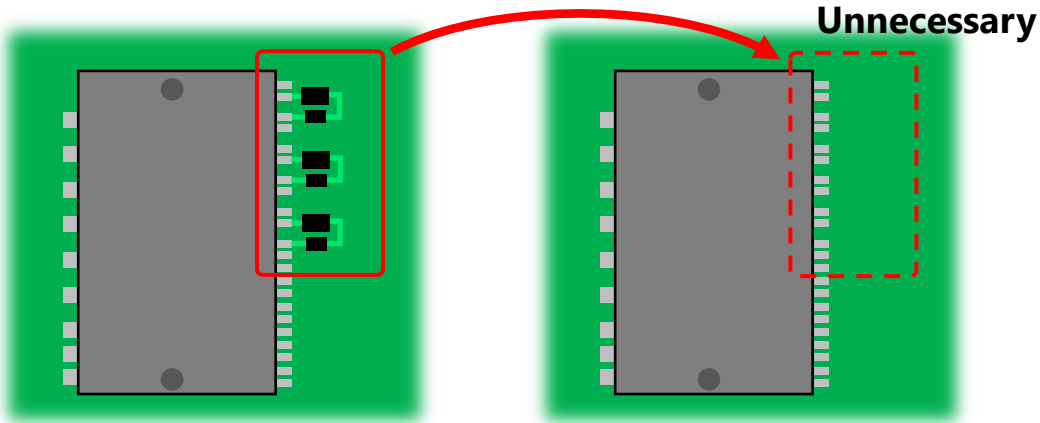


03. $\geq 20\%$ Reduction in Package Size

The single-packaging approach reduces external parts to be mounted.

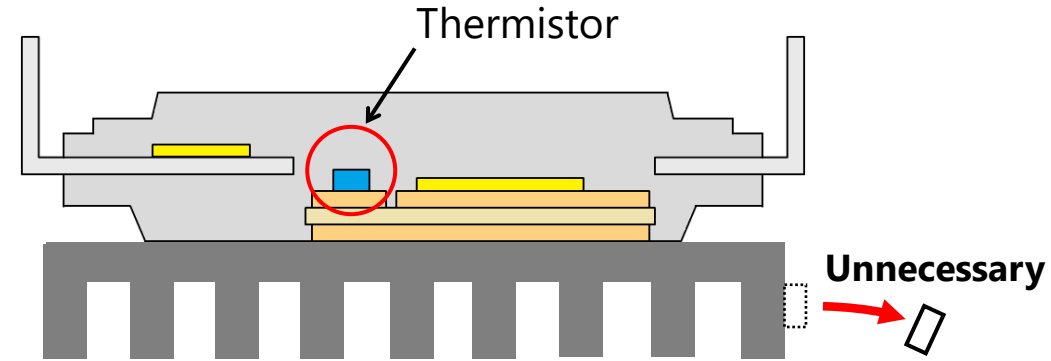
No need to add external bootstrap diodes + current-limiting resistors

< Schematic View >



No need to add an external temperature-sensing thermistor

< Schematic View >



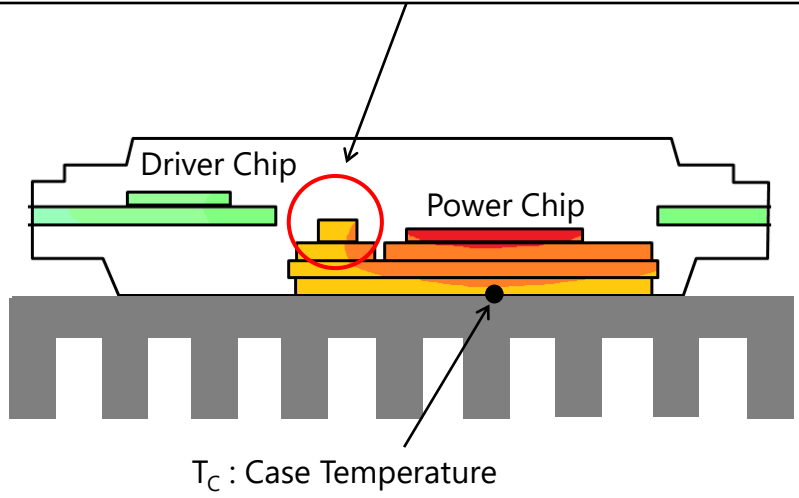
- **Smaller-sized applications**
- **Larger mountable area on a PCB**
- **Less reliability risk from parts mounting**
- **Lower costs in materials and processing**

04. Precise Temperature Sensing

Placing a thermistor on the DBC substrate along with the power chip (IGBTs + freewheeling diodes) resulted in vastly improved temperature-sensing accuracy.

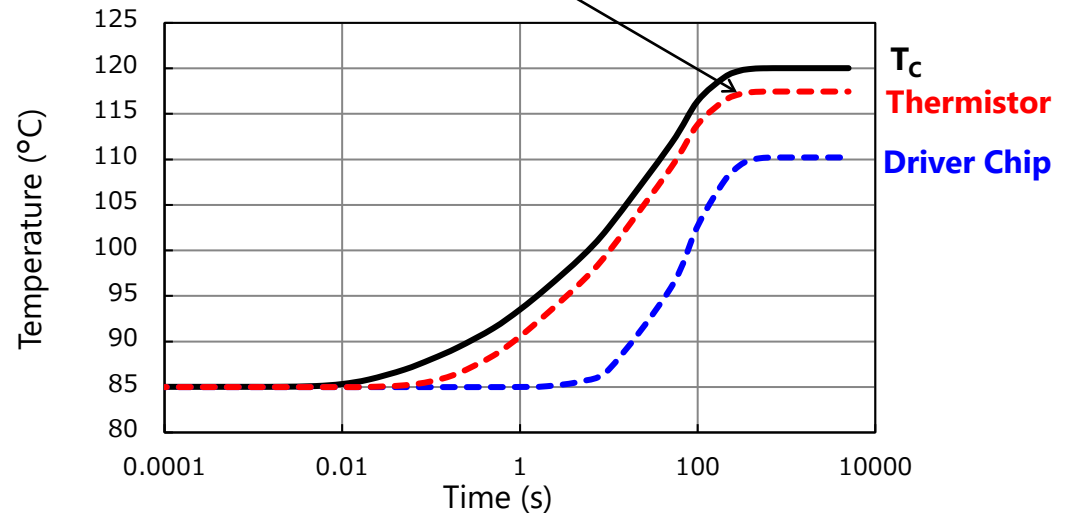
Thermistor Mounting Position (Schematic View)

Thermistor is placed on the DBC substrate, not on the lead frame.



Temperature Comparison

Thermistor temperature is detectable as a near-T_c value.



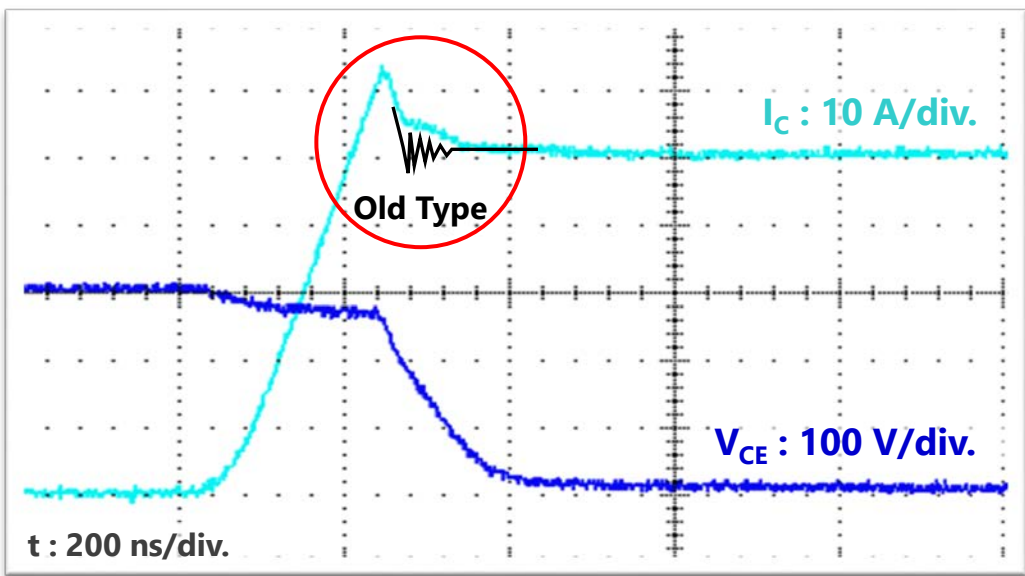
- More accurate temperature sensing
- Higher followability to rapid temperature changes

Your application will have more quality with this precise T_c sensing.

05. Switching Noise Suppression

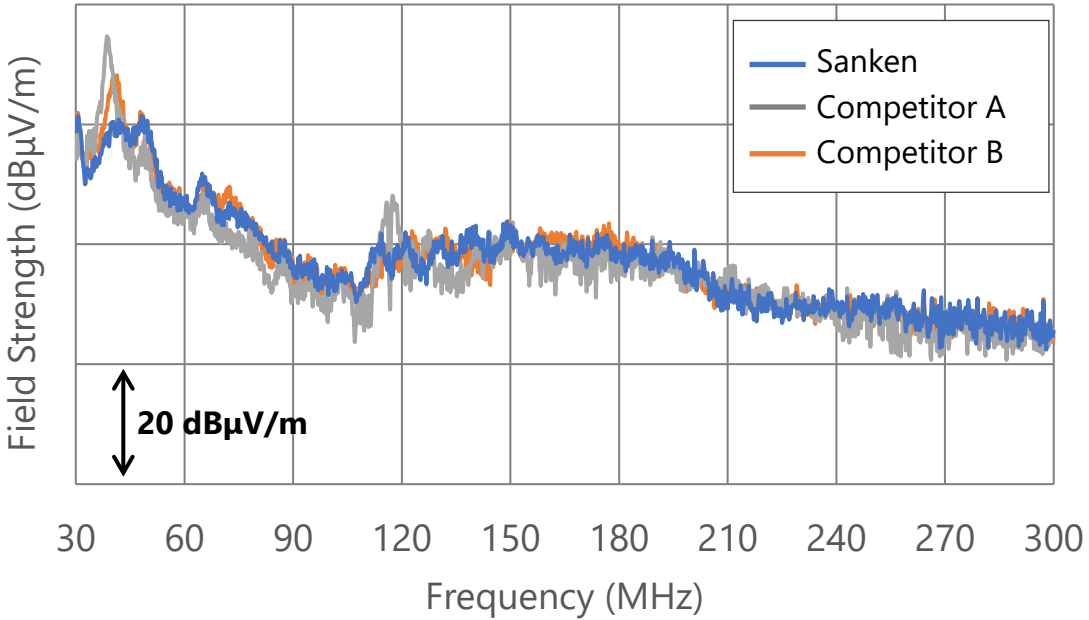
The built-in, self-developed, and excellent-soft-recovery-characteristic freewheeling diodes can greatly suppress the switching noise at turn-on and reduce emission noise as well as competitors.

Switching Waveforms (at Turn-on)



Suppressed noise at turn-on

Emission Noise Waveforms



Reduced emission noise

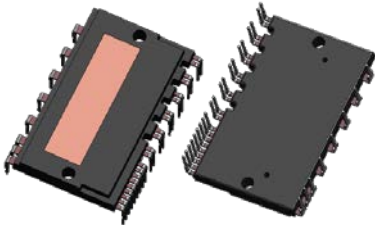
Here's a selection guide to the SAM2 series.
 This series offers many functions besides what we have introduced.

Selection Guide

Part Number	V_{CES}	I_C	$V_{CE(SAT)}$ (Typ.)	Application
SAM265M30AA1	650 V	30 A	1.70 V	Automotive ⁽¹⁾
SAM265M50AS3 ⁽²⁾	650 V	50 A	1.80 V	Automotive ⁽¹⁾
SAM265M50BS3	650 V	50 A	1.70 V	Industrial equip.
SAM212M05BF1	1200 V	5 A	1.30 V	Industrial equip.
SAM212M10BF1	1200 V	10 A	1.60 V	Industrial equip.
SAM212M15BF1	1200 V	15 A	1.60 V	Industrial equip.

⁽¹⁾ Also applicable to industrial equipment

⁽²⁾ Under development (as of Oct. 2024)



Various Functions

- CMOS-compatible Input (3.3 V or 5 V)
- Fault Signal Output at Protection Activation
- Shutdown Signal Input
- Adjustable OCP Hold Time
- Protection Functions
 - Undervoltage Lockout for Power Supply
 - VBx Pin (UVLO_VBx): Auto-restart
 - VCCL Pin (UVLO_VCCL): Auto-restart
 - Overcurrent Protection (OCP): Auto-restart

Important Notes

- All data, illustrations, graphs, tables and any other information included in this document (the “Information”) as to SanKen’s products listed herein (the “SanKen Products”) are current as of the date this document is issued. The Information is subject to any change without notice due to improvement of the SanKen Products, etc. Please make sure to confirm with a SanKen sales representative that the contents set forth in this document reflect the latest revisions before use.
- The SanKen Products are intended for use as components of electronic equipment or apparatus (transportation equipment and its control systems, home appliances, office equipment, telecommunication equipment, measuring equipment, etc.). Prior to use of the SanKen Products, please put your signature, or affix your name and seal, on the specification documents of the SanKen Products and return them to SanKen. If considering use of the SanKen Products for any applications that require higher reliability (traffic signal control systems or equipment, disaster/crime alarm systems, etc.), you must contact a SanKen sales representative to discuss the suitability of such use and put your signature, or affix your name and seal, on the specification documents of the SanKen Products and return them to SanKen, prior to the use of the SanKen Products. The SanKen Products are not intended for use in any applications that require extremely high reliability such as: aerospace equipment; nuclear power control systems; and medical equipment or systems, whose failure or malfunction may result in death or serious injury to people, i.e., medical devices in Class III or a higher class as defined by relevant laws of Japan (collectively, the “Specific Applications”). SanKen assumes no liability or responsibility whatsoever for any and all damages and losses that may be suffered by you, users or any third party, resulting from the use of the SanKen Products in the Specific Applications or in manner not in compliance with the instructions set forth herein.
- In the event of using the SanKen Products by either (i) combining other products or materials or both therewith or (ii) physically, chemically or otherwise processing or treating or both the same, you must duly consider all possible risks that may result from all such uses in advance and proceed therewith at your own responsibility.
- Although SanKen is making efforts to enhance the quality and reliability of its products, it is impossible to completely avoid the occurrence of any failure or defect or both in semiconductor products at a certain rate. You must take, at your own responsibility, preventative measures including using a sufficient safety design and confirming safety of any equipment or systems in/for which the SanKen Products are used, upon due consideration of a failure occurrence rate and derating, etc., in order not to cause any human injury or death, fire accident or social harm which may result from any failure or malfunction of the SanKen Products. Please refer to the relevant specification documents and SanKen’s official website in relation to derating.
- No anti-radioactive ray design has been adopted for the SanKen Products.
- The circuit constant, operation examples, circuit examples, pattern layout examples, design examples, recommended examples, all information and evaluation results based thereon, etc., described in this document are presented for the sole purpose of reference of use of the SanKen Products.
- SanKen assumes no responsibility whatsoever for any and all damages and losses that may be suffered by you, users or any third party, or any possible infringement of any and all property rights including intellectual property rights and any other rights of you, users or any third party, resulting from the Information.
- No information in this document can be transcribed or copied or both without SanKen’s prior written consent.
- Regarding the Information, no license, express, implied or otherwise, is granted hereby under any intellectual property rights and any other rights of SanKen.
- Unless otherwise agreed in writing between SanKen and you, SanKen makes no warranty of any kind, whether express or implied, including, without limitation, any warranty (i) as to the quality or performance of the SanKen Products (such as implied warranty of merchantability, and implied warranty of fitness for a particular purpose or special environment), (ii) that any SanKen Product is delivered free of claims of third parties by way of infringement or the like, (iii) that may arise from course of performance, course of dealing or usage of trade, and (iv) as to the Information (including its accuracy, usefulness, and reliability).
- In the event of using the SanKen Products, you must use the same after carefully examining all applicable environmental laws and regulations that regulate the inclusion or use or both of any particular controlled substances, including, but not limited to, the EU RoHS Directive, so as to be in strict compliance with such applicable laws and regulations.
- You must not use the SanKen Products or the Information for the purpose of any military applications or use, including but not limited to the development of weapons of mass destruction. In the event of exporting the SanKen Products or the Information, or providing them for non-residents, you must comply with all applicable export control laws and regulations in each country including the U.S. Export Administration Regulations (EAR) and the Foreign Exchange and Foreign Trade Act of Japan, and follow the procedures required by such applicable laws and regulations.
- SanKen assumes no responsibility for any troubles, which may occur during the transportation of the SanKen Products including the falling thereof, out of SanKen’s distribution network.
- Although SanKen has prepared this document with its due care to pursue the accuracy thereof, SanKen does not warrant that it is error free and SanKen assumes no liability whatsoever for any and all damages and losses which may be suffered by you resulting from any possible errors or omissions in connection with the Information.
- Please refer to our official website in relation to general instructions and directions for using the SanKen Products, and refer to the relevant specification documents in relation to particular precautions when using the SanKen Products.
- All rights and title in and to any specific trademark or tradename belong to SanKen and such original right holder(s).

DSGN-AEZ-16003